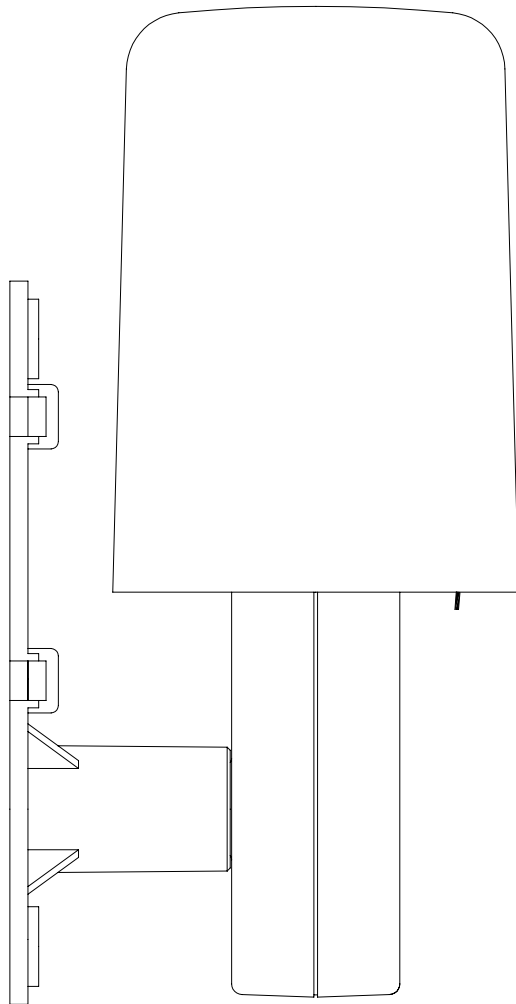


TX8U
Wireless 433 MHz
Temperature/Humidity Sensor

Instruction Manual



LA CROSSE

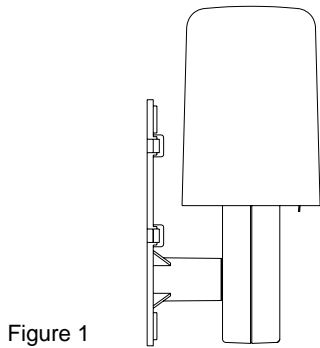
TECHNOLOGY

*technology tools
for home & office*

Topic	Page
Inventory of Contents/Additional Equipment	2
Detailed Set-Up Guide	
Battery installation	3
Mounting	3
Maintenance & Care	3
Specifications	4
Warranty Information	4-5

INVENTORY OF CONTENTS

1. One TX8U remote temperature/humidity sensor (Figure 1).
2. Mounting hardware
3. Instruction manual and warranty card.



ADDITIONAL EQUIPMENT (not included)

1. Two fresh AA 1.5V batteries for the remote temperature/humidity sensor.
(The remote temperature/humidity sensor powers the wind speed sensor and the rainfall sensor so no batteries are required.)
2. One Philips screwdriver for mounting.

Important Notes on Set-up and Operation

- The remote temperature/humidity sensor is both the source of power for both outdoor sensors and source of transmission for all remote sensor data.
- The remote temperature/humidity sensor should be placed in a dry, shaded area.
- Fog and mist will not harm your remote temperature/humidity sensor but direct rain must be avoided.
- The remote temperature/humidity sensor has a range of 330 feet. Any walls that the signal will have to pass through will reduce distance. An outdoor wall or window can have up to 30 feet of resistance and an interior wall can have up to 20 feet of resistance. Your distance plus resistance should not exceed 330 ft. in a straight line.
- The remote temperature/humidity sensor transmits a signal every minute. After the batteries have been installed, the indoor weather station will search for the signal for a duration of 15 minutes. If there is no temperature or humidity reading in the OUTDOOR LCD or wind speed in the WIND SPEED LCD after 15 minutes, make sure the units are within range of each other, or repeat the battery installation procedure.
- If a button is pressed before the indoor weather station receives the signal from the remote temperature/humidity sensor, you will need to follow the battery installation procedure again.

DETAILED SET-UP GUIDE

BATTERY INSTALLATION

The first step to powering up the weather station is to insert the connector (RJ11) at the end of the wire attached to the wind speed sensor to the remote temperature/humidity sensor. Please ensure when doing this that the connector is inserted with the proper orientation. When seated properly you will hear the connector 'click' in place.

A. REMOTE TEMPERATURE/HUMIDITY

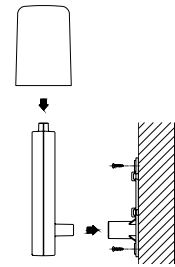
1. Remove the mounting bracket and humidity hood.
2. Remove the battery cover by sliding the cover down.
3. Observing the correct polarity install 2 AA batteries. The batteries will fit tightly (to avoid start-up problems make sure they do not spring free).
4. Replace the battery cover by sliding upwards. Be sure battery cover is on securely.
5. Replace the humidity hood.

MOUNTING

I. THE REMOTE TEMPERATURE/HUMIDITY SENSOR

The remote temperature/humidity sensor can be mounted in several ways:

- With the use of screws
- Using adhesive tape
- Using nylon straps



A. MOUNTING WITH SCREWS

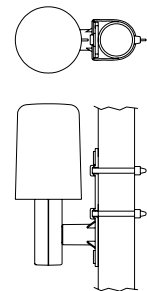
- 1) Remove the mounting bracket from the remote temperature/humidity sensor.
- 2) Place the mounting bracket over the desired location.
- 3) Through the two screw holes of the bracket, mark the mounting surface with a pencil.
- 4) Screw mounting bracket onto the mounting surface. Ensure that the screws are tight against the bracket.
- 5) Insert the remote temperature/humidity sensor into the bracket.

B. MOUNTING WITH ADHESIVE TAPE

- 1) With a nonabrasive solution, clean and dry the back of the mounting bracket and the mounting surface to ensure a secure hold. The mounting surface should be smooth and flat.
- 2) Remove the protective strip from one side of the tape.
- 3) Adhere the tape to the designated area on the back of the mounting bracket.
- 4) Remove the protective strip from the other side of the tape.
- 5) Position the remote temperature/humidity sensor in the desired location, ensuring that the indoor weather station can receive the signal.

C. MOUNTING WITH NYLON STRAPS

- 1) Remove the mounting bracket from the remote temperature/humidity sensor.
- 2) Place two nylon straps through the slots on the mounting bracket.
- 3) Place the remote temperature/humidity sensor in your desired mounting location.
- 4) Fasten the two nylon straps securely around the mounting location.



MAINTENANCE AND CARE INSTRUCTIONS

- Extreme temperatures, vibration, and shock should be avoided to prevent damage to the units.
- Clean displays and units with a soft, damp cloth. Do not use solvents or scouring agents; they may mark the displays and casings.
- Do not submerge in water.
- Immediately remove all low powered batteries to avoid leakage and damage.
- Opening the casings invalidates the warranty. Do not try to repair the unit. Contact La Crosse Technology for repairs.

SPECIFICATIONS

Weather data measuring range:	
Outdoor and dew point:	-21.8°F to 157.8°F with 0.2°F resolution (-29.9°C to 69.9°C with 0.1°C resolution) "OFL" displayed if outside this range
Outdoor relative humidity measuring range:	1% to 99% with 1% resolution ("- - " displayed if outside this range)
	Total rainfall: 0 to 2499 mm with 0.1 mm resolution (0 to 98 inch with 0.02 inch resolution)
Transmission range:	330 feet (in open space)
Power Supply:	
Remote temperature/humidity sensor:	2 x AA, IEC LR6, 1.5V
Battery life cycle:	Approximately 12 months
Recommended battery type:	Alkaline
Dimensions (H x W x D):	
Remote temperature/humidity sensor:	5.4" x 2.25" x 2.25" (137 x 56.2 x 56.2 mm)

WARRANTY INFORMATION

La Crosse Technology, Ltd provides a 1-year limited warranty on this product against manufacturing defects in materials and workmanship.

This limited warranty begins on the original date of purchase, is valid only on products purchased and used in North America and only to the original purchaser of this product. To receive warranty service, the purchaser must contact La Crosse Technology, Ltd for problem determination and service procedures. Warranty service can only be performed by a La Crosse Technology, Ltd authorized service center. The original dated bill of sale must be presented upon request as proof of purchase to La Crosse Technology, Ltd or La Crosse Technology, Ltd's authorized service center.

La Crosse Technology, Ltd will repair or replace this product, at our option and at no charge as stipulated herein, with new or reconditioned parts or products if found to be defective during the limited warranty period specified above. All replaced parts and products become the property of La Crosse Technology, Ltd and must be returned to La Crosse Technology, Ltd. Replacement parts and products assume the remaining original warranty, or ninety (90) days, whichever is longer. La Crosse Technology, Ltd will pay all expenses for labor and materials for all repairs covered by this warranty. If necessary repairs are not covered by this warranty, or if a product is examined which is not in need or repair, you will be charged for the repairs or examination. The owner must pay any shipping charges incurred in getting your La Crosse Technology, Ltd product to a La Crosse Technology, Ltd authorized service center. La Crosse Technology, Ltd will pay reasonable return shipping charges to the owner of the product.

Your La Crosse Technology, Ltd warranty covers all defects in material and workmanship with the following specified exceptions: (1) damage caused by accident, unreasonable use or neglect (including the lack of reasonable and necessary maintenance); (2) damage occurring during shipment (claims must be presented to the carrier); (3) damage to, or deterioration of, any accessory or decorative surface; (4) damage resulting from failure to follow instructions contained in your owner's manual; (5) damage resulting from the performance of repairs or alterations by someone other than an authorized La Crosse Technology, Ltd authorized service center; (6) units used for other than home use (7) applications and uses that this product was not intended or (8) the products inability to receive a signal due to any source of interference.. This warranty covers only actual defects within the product itself, and does not cover the cost of installation or removal from a fixed installation, normal set-up or adjustments, claims based on misrepresentation by the seller or performance variations resulting from installation-related circumstances.

LA CROSSE TECHNOLOGY, LTD WILL NOT ASSUME LIABILITY FOR INCIDENTAL, CONSEQUENTIAL, PUNITIVE, OR OTHER SIMILAR DAMAGES ASSOCIATED WITH THE OPERATION OR MALFUNCTION OF THIS PRODUCT. THIS PRODUCT IS NOT TO BE USED FOR MEDICAL PURPOSES OR FOR PUBLIC INFORMATION. THIS PRODUCT IS NOT A TOY. KEEP OUT OF CHILDREN'S REACH.

This warranty gives you specific legal rights. You may also have other rights specific to your State. Some States do not allow the exclusion of consequential or incidental damages therefore the above exclusion of limitation may not apply to you.

For warranty work, technical support, or information contact:

La Crosse Technology, Ltd
190 Main Street
La Crescent, MN 55947
Phone: 507.895.7095
Fax: 507.895.2820

e-mail:
support@lacrossetechnology.com
(warranty work)
sales@lacrossetechnology.com
(information on other products)
web:
www.lacrossetechnology.com

Questions ? Please see instruction video at
www.lacrossetechnology.info/9046

FCC DISCLAIMER

This device complies with part 15 of the FCC rules. Operation is subject to the following two conditions:

- (1) This device may not cause harmful interference.
- (2) This device must accept any interference received, including interference that may cause undesired operation.

FCC ID: OMO-01TX (transmitter)

Freq. 433.92 MHz
La Crosse Technology
Made in China
TX8U

All rights reserved. This handbook must not be reproduced in any form, even in excerpts, or duplicated or processed using electronic, mechanical or chemical procedures without written permission of the publisher.

This handbook may contain mistakes and printing errors. The information in this handbook is regularly checked and corrections made in the next issue. We accept no liability for technical mistakes or printing errors, or their consequences. All trademarks and patents are acknowledged.